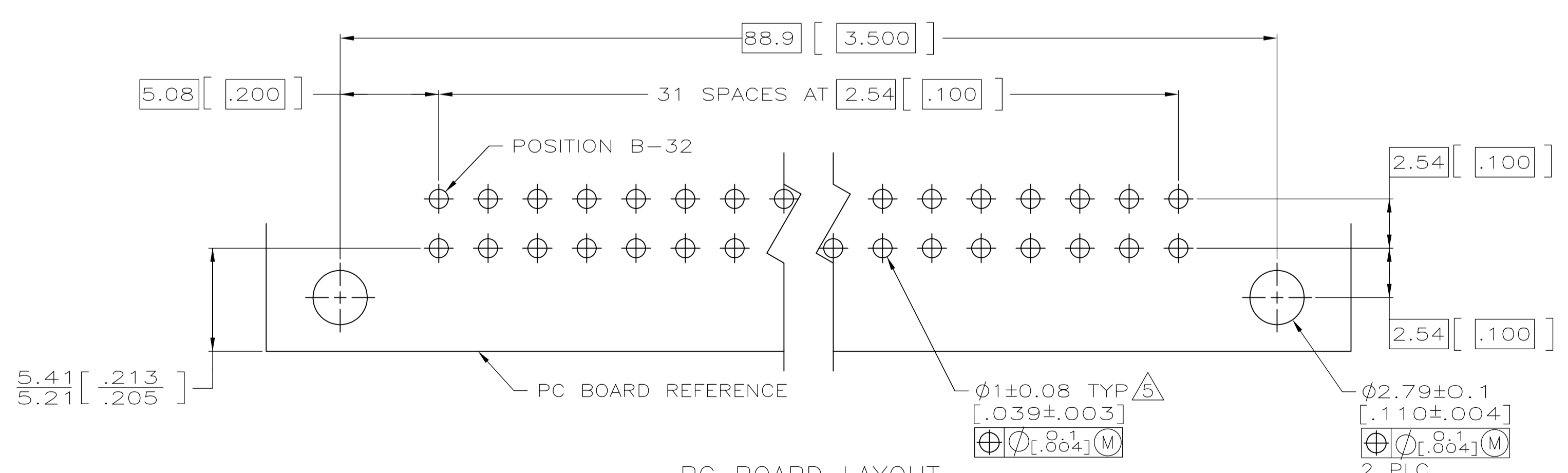
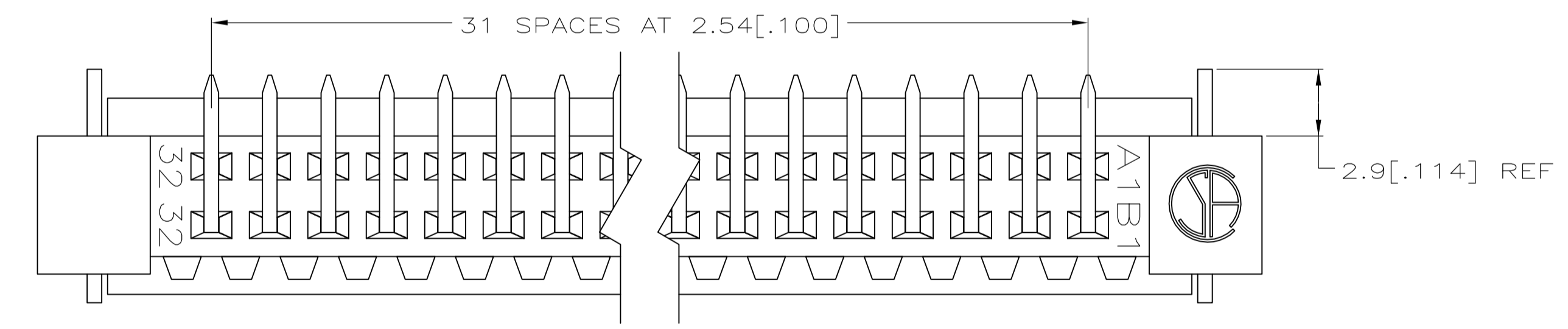
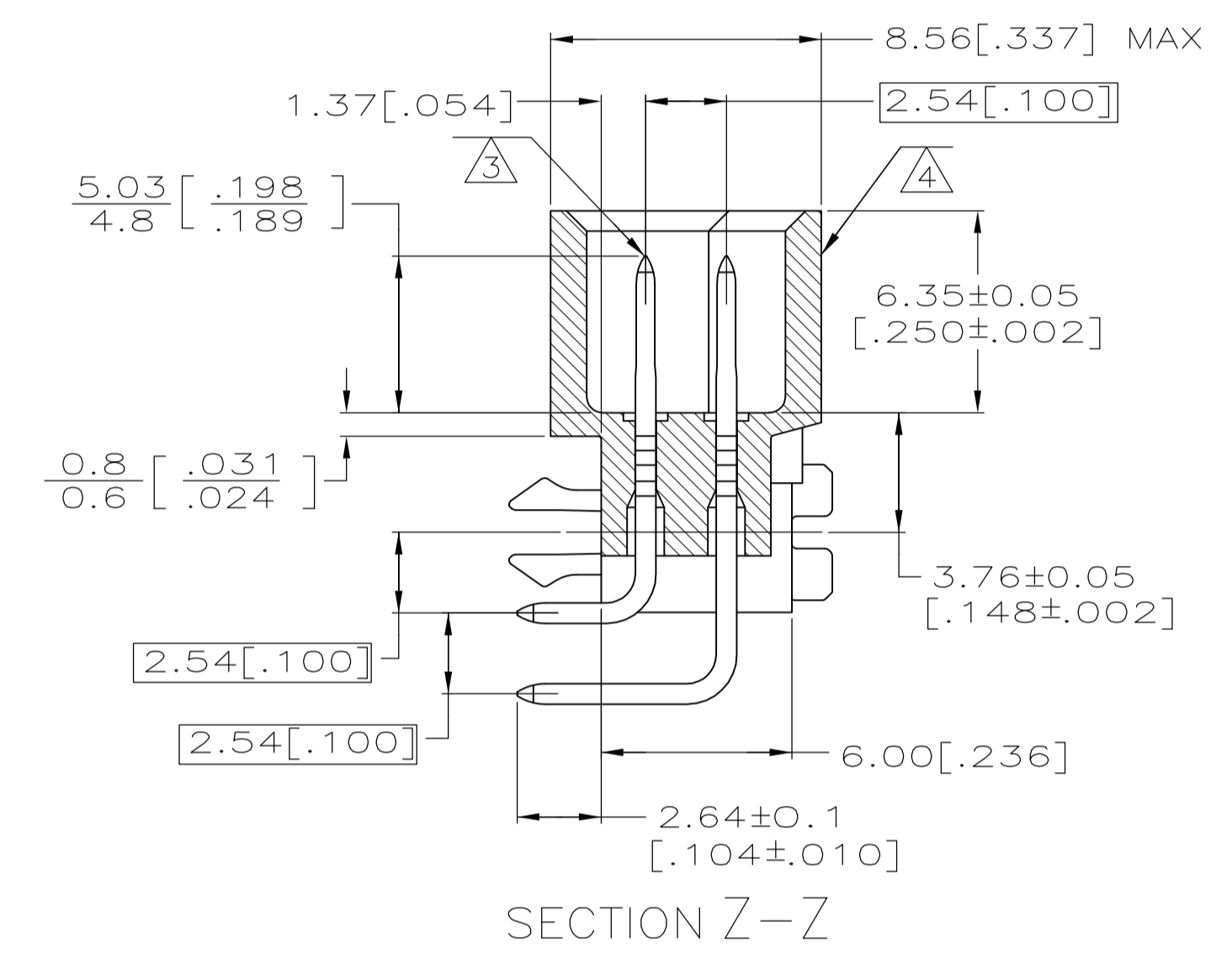
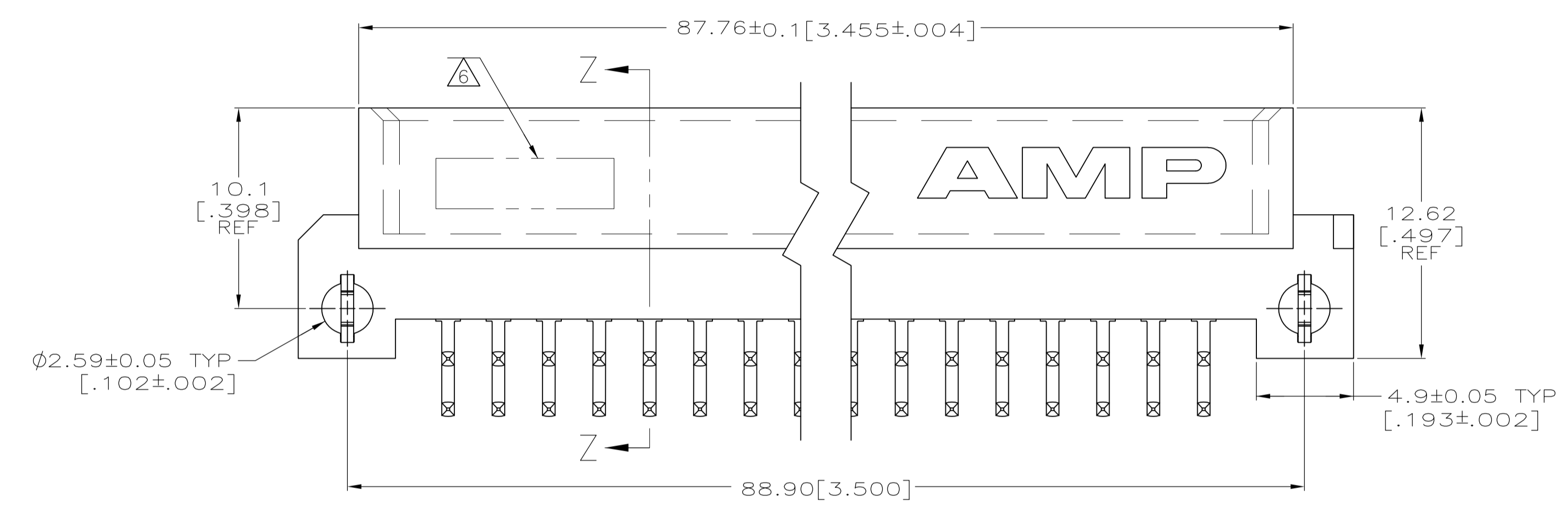
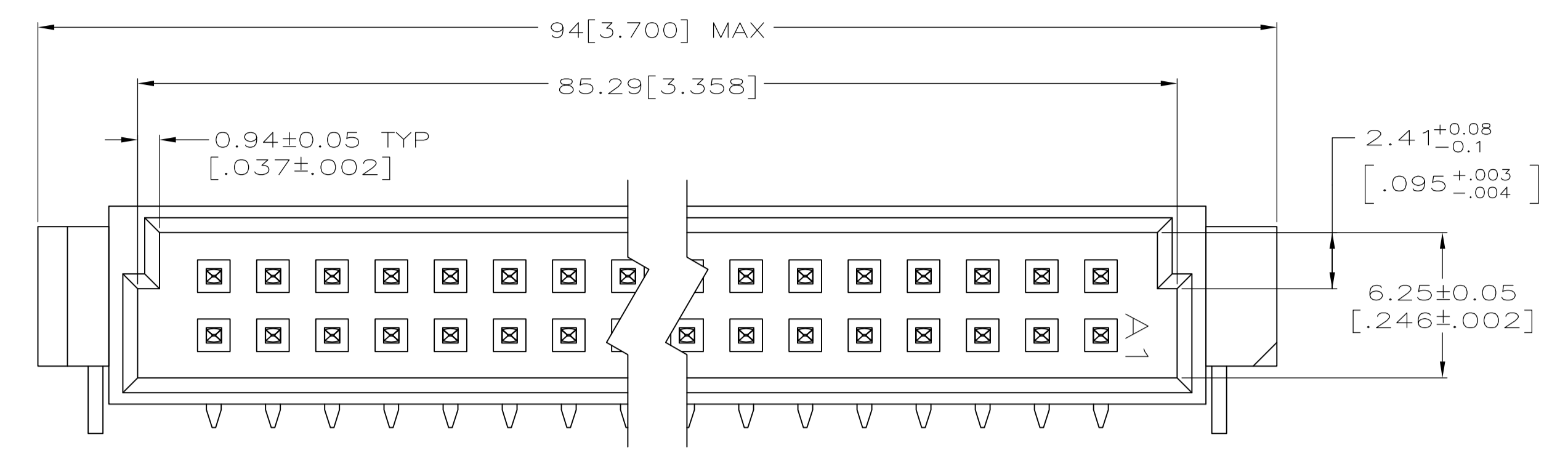


- △ HOUSING MATERIAL: GLASS-FILLED POLYMER.
- △ POST MATERIAL: COPPER ALLOY.
- △ POST FINISH: DIN 41612 CLASS 2 IN CONTACT AREA. TIN PLATE ON POSTS.
- △ MARKINGS ON THIS SIDE.
- △ RECOMMENDED HOLE SIZE FOR MANUAL APPLICATION OF CONNECTOR ONTO PC BOARD.
- △ PART NUMBER, DATE CODE MARKED THIS APPROXIMATE AREA.



PC BOARD LAYOUT
 RECOMMENDED PC BOARD THICKNESS 1.57[.062]

1-32	X	X	64	5536385-5
POSITIONS LOADED	B	A	NO. OF LOADED POSITION	ASSY PART NUMBER

THIS DRAWING IS A CONTROLLED DOCUMENT.		DIN J. POLIGNONE		Tyco Electronics Corporation	
DIMENSIONS: mm [INCHES]		CIRK A. SHARPE		Harrisburg, Pa 17105-3608	
TOLERANCES UNLESS OTHERWISE SPECIFIED:		APVD A. SHARPE		NAME	
0 PLC ± -		PRODUCT SPEC		ASSEMBLY, PIN, EUROCARD, TYPE B, 64 POSITION, 2.64[.104] SOLDER POST WITH BOARD-LOCKS	
1 PLC ± -		APPLICATION SPEC		SIZE	
2 PLC ± -		WEIGHT		CAGE CODE	
3 PLC ± 0.13[.005]		CUSTOMER DRAWING		DRAWING NO	
4 PLC ± -		SCALE 5:1		SHEET 1 OF 1	
ANGLES ± -		REV 01		RESTRICTED TO	
MATERIAL		A1 00779		5536385	